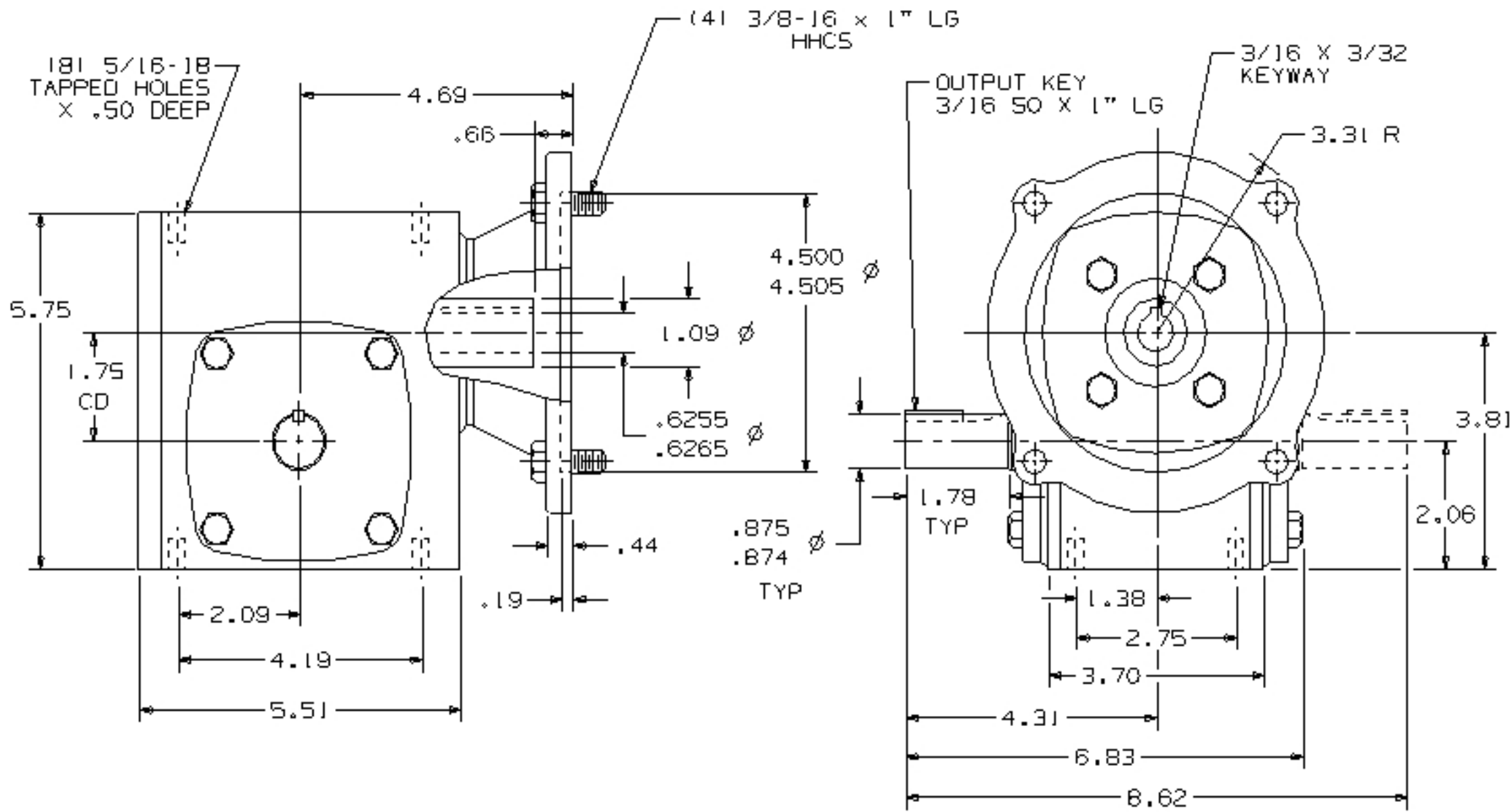


BOSTON GEAR®

F718-B5 OUTLINE DWG



OUTPUT SHAFT PROJECTIONS SHOWN ABOVE

FOR "G" ASSEMBLY - OUTPUT SHAFT SHOWN BY SOLID LINES
 FOR "H" ASSEMBLY - OUTPUT SHAFT SHOWN BY SOLID AND DOTTED LINES
 FOR "J" ASSEMBLY - OUTPUT SHAFT SHOWN BY DOTTED LINES

DIMENSIONS TO ROUGH
 CASTINGS ARE APPROXIMATE

THIS DRAWING IS THE PROPERTY OF BOSTON GEAR DIV. AND MUST NOT BE USED IN ANY MANNER DETRIMENTAL TO THE INTERESTS OF THE COMPANY.